



OWNER'S MANUAL



**Owner's Manual
Model E2**

**Please read all
instructions
carefully before
using unit.**

TABLE OF CONTENTS

Important Safety Instructions.....	2
Parts Identification.....	3
Using your Rainbow.....	4
Assemble the Wands.....	5
Using the Tools.....	6
Air Cleaning / Air Inflation and Confined-Space Cleaning.....	7
Rinsing the HEPA Neutralizer.....	8
Care and Maintenance.....	9
Trouble-Shooting.....	10
Rainbow Features.....	11
Optional Accessories for your Rainbow.....	12-14
Message from Rexair / Written Warranty.....	Back Cover

Dear Rainbow Owner: Welcome to the evergrowing Rainbow Family!

You have made a wise investment by purchasing your Rainbow product. Rexair has established a proud heritage of selling through authorized distributors a superior product for over 60 years. The Rainbow product is sold in all 50 states and in over 70 countries.

Please feel free to call upon your local Rainbow distributor or Rexair, 50 W. Beaver Road, Suite 350, Troy, Michigan 48084 U.S.A. for any assistance, or visit Rexair's Web Site:

www.RainbowSystem.com

CONSUMER CARE NUMBER

As part of Rexair's Consumer Care program, all new Rainbows receive a Consumer Care Serial Number after passing Quality Control testing at the factory. This serial number provides:

1. Ownership Identification for you
2. Warranty Identification for your distributor
3. Assurance of passing Quality Control testing
4. Assurance of "factory-fresh" condition



For your protection, check to see that the serial number is on the Rainbow at the location shown on the accompanying diagram. No new Rainbow should be sold without this number. If the number is missing, Rexair makes no claim as to the origin, age, or condition of the unit. If you cannot find a serial number on your Rainbow, please call our customer service department at (248) 643-7222, or fax to (248) 643-7676.

For your own protection, record the serial number in the space provided below.



800-523-0510

www.rainvac.com

The configuration of the **Rainbow®** Cleaning System and the words **Rainbow®**, **RainbowMate®** and **Rexair®** are registered trademarks of Rexair, Troy, Michigan U.S.A.

WARNING

TO REDUCE THE RISK OF FIRE, ELECTRIC SHOCK OR INJURY:

- 1 Close supervision is necessary when any appliance is used by or near children. Do not allow your Rainbow to be used as a toy or to run unsupervised at any time.
- 2 Unplug the Rainbow when not in use. Turn it off at the master switch before unplugging. Grasp the plug to disconnect it from the wall outlet to avoid damage to cord, plug, prongs or receptacle. Do not pull or carry by cord, use cord as a handle, close a door on cord, pull or carry around sharp edges or corners. Do not run appliance over cord. Keep cord away from heated surfaces. Do not use with damaged cord or plug.
- 3 Do not leave appliance when plugged in. Unplug Rainbow from outlet when unattended and before servicing.
- 4 If your Rainbow or Rainbow accessory is in disrepair, do not attempt to operate. If the Rainbow is not working properly, has been dropped, damaged, left outdoors or dropped into water, return it to your Rainbow Distributor.
- 5 Do not clean the unit or unclog the hose until the Rainbow is switched off and the plug is removed from the wall outlet.
- 6 Do not connect to the receptacle of an incandescent light fixture or use any extension cords.
- 7 Do not use the Rainbow to unplug drains. If sewer gas is drawn into the Rainbow, it could cause an explosion.
- 8 Never touch a metal sink, cold or hot water pipe with one hand while touching the metal parts of any electrical appliance, light fixture or switch with the other hand. Your body could complete an electrical circuit to the ground. Additionally, wet skin surfaces can greatly increase this hazard. Do not handle plug or appliance with wet hands.
- 9 (a) Do not put any objects into openings; Do not use with any openings blocked; Keep free of dust, lint, hair and anything that may reduce airflow; (b) Keep hair, loose clothing, fingers and all parts of the body from openings and moving parts; (c) Use extra care when cleaning on stairs.
- 10 Do not pick up anything that is burning or smoking, such as cigarettes, matches or hot ashes. Do not use to pick up flammable or combustible liquids, such as gasoline, or use in areas where they may be present.
- 11 This appliance is provided with double insulation. Use only identical replacement parts. See instructions for Servicing of Double-Insulated appliances.
- 12 The Rainbow is equipped with an interlock switch that prevents the unit from operating if the water basin is not properly latched. **DO NOT ATTEMPT TO OVERRIDE THIS SAFETY FEATURE.**
- 13 **WARNING: This hose contains electric wires. To reduce the risk of electric shock: Do not immerse. Do not use or repair a damaged hose. Use only on carpet moistened by cleaning process.**
- 14 To reduce the risk of electric shock, this appliance has a polarized plug (one blade is wider than the other). This plug will fit in a polarized outlet only one way. If the plug does not fit fully in the outlet, reverse the plug. If it still does not fit, contact a qualified electrician to install the proper outlet. Do not change the plug in any way.
- 15 Type Y power cords must be replaced by an authorized Rainbow Distributor. If the cord is damaged, turn off the power switch on the Rainbow and unplug the unit.

IMPORTANT SAFETY INSTRUCTIONS

To reduce the risk of fire, electric shock, or injury, when using an electrical appliance, basic precautions should always be followed, including the following:

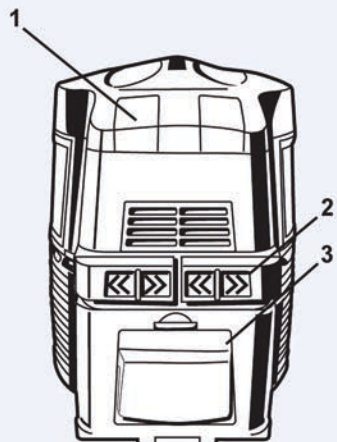
Please read all instructions carefully before using unit.

SAVE THESE INSTRUCTIONS

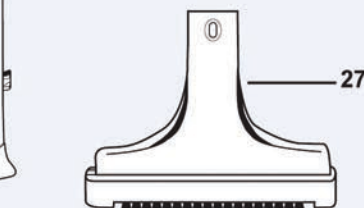
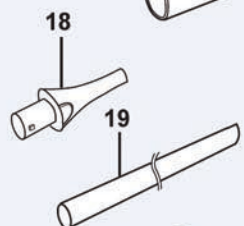
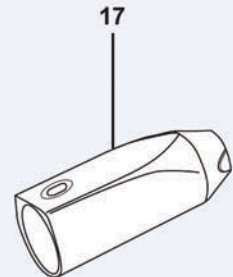
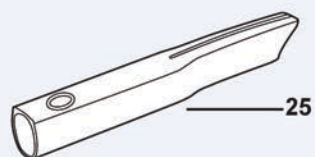
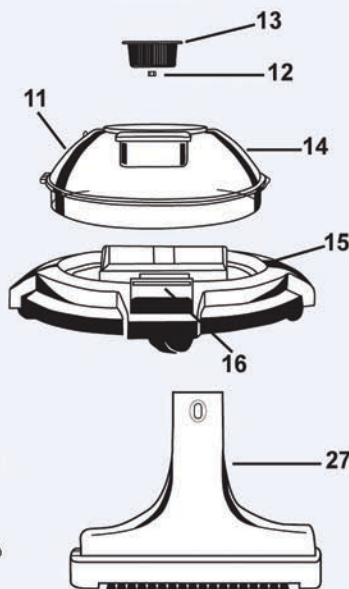
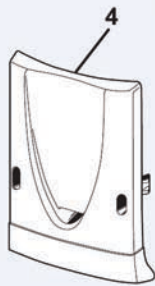
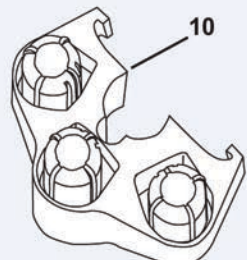
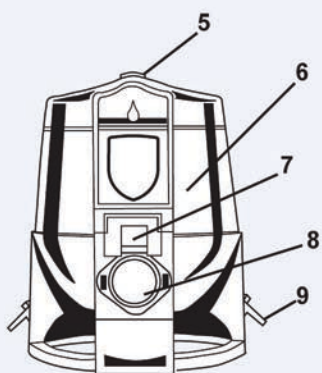
FOR HOUSEHOLD USE ONLY

USE ONLY MANUFACTURER'S RECOMMENDED ATTACHMENTS.

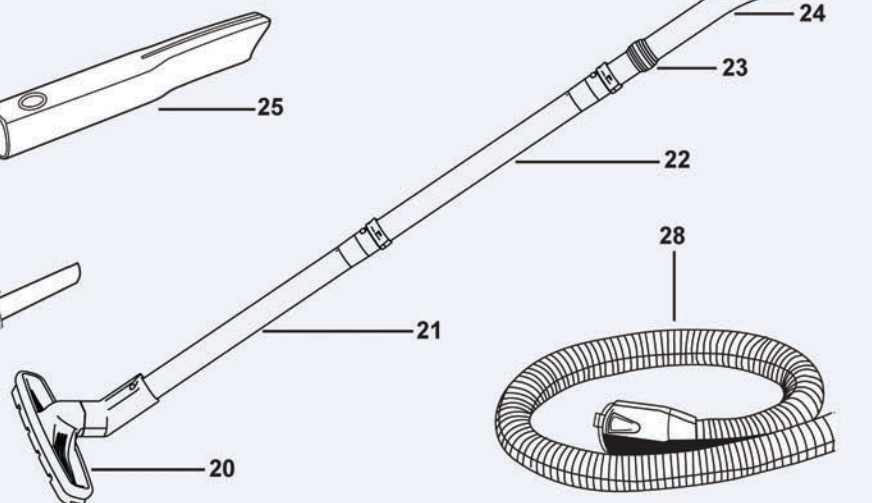
*The Power
of Water®*



Back View

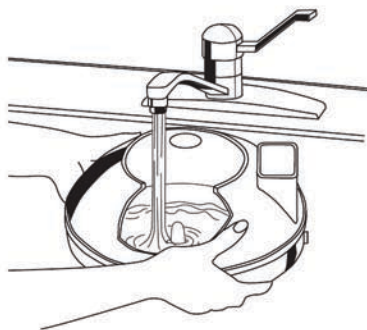


- 1 Power Switch
- 2 Cord Caddy
- 3 Exhaust Vent
- 4 Airflow Adapter
- 5 Handle
- 6 Power Unit
- 7 Power Nozzle Receptacle Door
- 8 Air Inlet Opening
- 9 Water Basin Latches
- 10 Attachment Caddy
- 11 Interlock Activator Post
- 12 Separator Nut
- 13 Separator
- 14 Water Basin
- 15 Dolly
- 16 Dolly Latch
- 17 Inflator Body
- 18 Inflator Pin
- 19 Extension
- 20 Floor and Wall Brush
- 21 Straight Wand
- 22 Straight Wand
- 23 Airflow Control Sleeve
- 24 Curved Wand Handle
- 25 Crevice Tool
- 26 Dusting Brush
- 27 Upholstery Tool
- 28 Hose



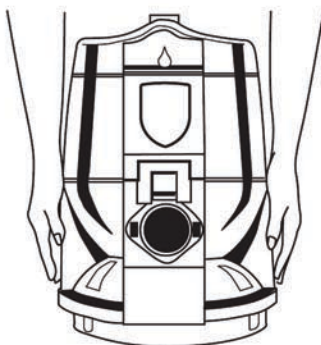
1 FILLING WATER BASIN:

Fill the basin with cool water from a faucet until the top of the water-level dome located in the bottom center of the basin is just covered. **NEVER FILL BASIN ABOVE WATER-LEVEL DOME.** When the water becomes thick with lint and dirt, empty the water basin and refill with clean water. Add two capfuls of Rainbow Deodorizer Air Freshener to maximize freshening of the air while cleaning.



2 ATTACHING POWER UNIT TO WATER BASIN:

Attach power unit to the water basin by placing power unit over the basin so that the air intake opening of the basin is aligned with the air inlet opening in the power unit. Attach water basin latches on each side to secure the power unit. **NOTE: THE POWER UNIT WILL NOT OPERATE WITHOUT THE WATER BASIN IN PLACE.**



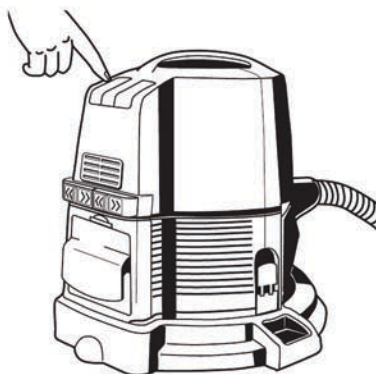
3 ATTACH RAINBOW HOSE:

Insert hose coupling of hose into the air intake until it clicks. To remove, press both latches and pull hose from machine.



4 CONNECT ELECTRICAL CORD TO WALL OUTLET:

Connect the electrical cord to wall outlet. Toggle the switch forward to the "high-speed" setting (>>). Use this setting for normal cleaning operations. To turn the Rainbow off, toggle the switch to the "OFF" position (0).



USING YOUR RAINBOW

WARNING

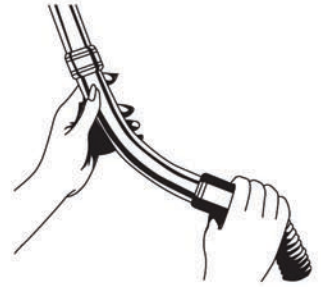
Because of the danger of shock, any electrical appliance should be used only as directed. There should be no unapproved use of any electrical product. Electrical leakage and shorts can occur whenever there is electricity. With any electrical appliance, if the user is not grounded, there is generally no serious hazard. But if the user is standing on the ground, in a basement or in a room where a film of water can reach the ground, severe shock could result. Therefore, use the Rainbow only as directed in this owner's manual.

Refer to the **IMPORTANT SAFETY INSTRUCTIONS** found on page 2. This, of course, is true of any use of electricity when electrical fixtures or appliances that can develop shorts.

ASSEMBLE THE WANDS

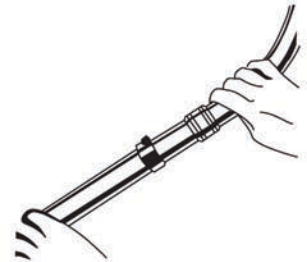
5 ATTACH STRAIGHT WAND TO THE TOP CURVED WAND:

Push soft end of the Rainbow hose over raised ridge on curved handle wand with airflow sleeve until it "SNAPS" into place.



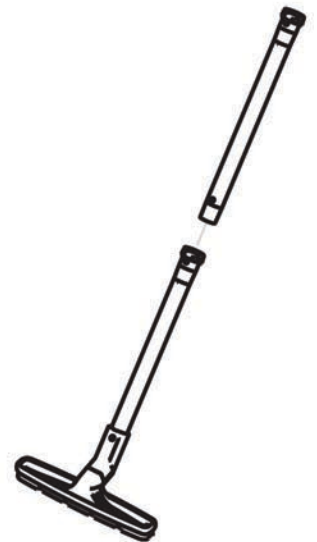
6 CONNECT STRAIGHT WAND AND CURVED HANDLE WAND:

Connect straight wand and curved handle wand by aligning the button lock on the curved wand handle with the guide on the wand collar and sliding together.



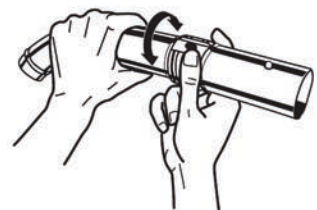
7 CONNECT THE TOP STRAIGHT WAND AND THE BOTTOM STRAIGHT WAND:

Connect the top straight wand and the bottom straight wand (with floor and wall tool attached) using the above steps.



8 ADJUST AIRFLOW CONTROL SLEEVE:

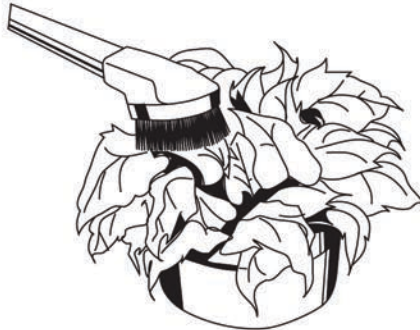
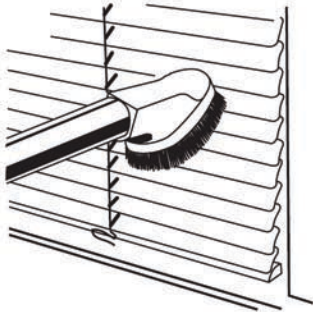
Adjust the airflow control sleeve on top of curved wand. Close opening with airflow control sleeve for full power. To reduce airflow, rotate airflow control sleeve so opening in curved wand is exposed. Adjust as needed for different cleaning jobs.



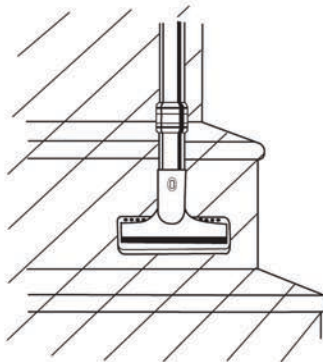
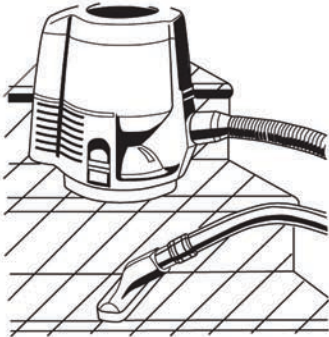
Choosing the right tool

The tools allow you to clean surfaces above the floor and to reach hard-to-clean areas.

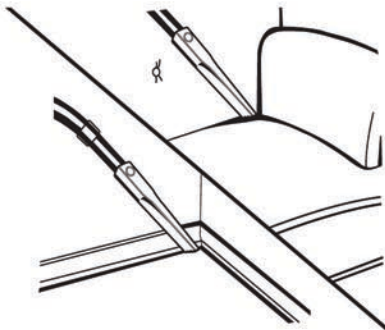
- A RAINBOW DUSTING BRUSH:** The dusting brush is ideal for cleaning lamp shades, venetian blinds, screens, baseboards, VCR equipment, sound systems, etc. Attach the brush to the straight wand or the top curved wand and secure with button lock. Use at a maximum airflow (airflow control sleeve fully closed) for maximum cleaning.



- B RAINBOW UPHOLSTERY TOOL:** The upholstery tool cleans sofas, chairs, draperies, carpeted stairs, risers, mattresses, pillows, blankets, closet shelves, etc.



- C RAINBOW CREVICE TOOL:** The crevice tool cleans deep-down between furniture and cushions. Reaches those low areas along baseboards, under radiators, and between radiator sections. Use at a maximum airflow (airflow control sleeve fully closed).



USING THE TOOLS

REMINDER:

For delicate objects, airflow may be further reduced by adjusting the airflow control sleeve on the handle.

To avoid abrasions to delicate surfaces, keep the dusting brush bristles clean by whisking it clean with the open end of the hose.

AIR CLEANING

AIR INFLATION AND CONFINED-SPACE CLEANING

NOTE:

When using the Rainbow as an air cleaner, remove attachments.

The Rainbow is equipped with low and high speed.

WARNING:

Be sure inflator pin is properly locked in place. If not, it will be blown forcefully from the tool body.

FOR NORMAL CLEANING OPERATIONS AND AIR CLEANING:

Select high-speed setting for maximum cleaning performance. Low speed can also be used for air cleaning.

Air Cleaner - The Rainbow cleans the air you breathe. The air in the average home contains large amounts of dust, lint and other foreign substances. Run your Rainbow without attachments in any desired area for about an hour every day. The Rainbow takes the dust from the air and drowns it in the water.

Humidifier - In the winter, the air in the average home often becomes excessively dry. Run your Rainbow without attachments to humidify the air you breathe.

Using your Rainbow in this manner daily will help maintain the proper humidity.

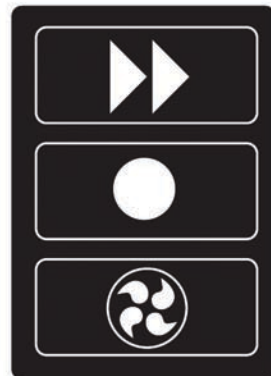
Deodorizer / Aromatizer - By adding a few drops of your favorite Rainbow fragrance or Rainbow Deodorant Air Freshener to the water while running your Rainbow without the attachments, the air is quickly freshened and objectionable household odors removed.

Vaporizer - Place a few drops of an inhalant in the water of your Rainbow basin. Run the Rainbow without attachments and breathe deeply.

HIGH

OFF

LOW



AIR INFLATION AND CONFINED SPACE-CLEANING:

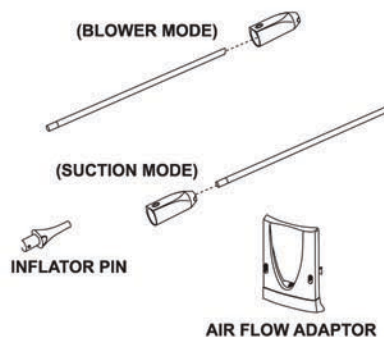
This unique Rainbow tool provides users with the added convenience of two specialized capabilities: air inflation and confined-space cleaning.

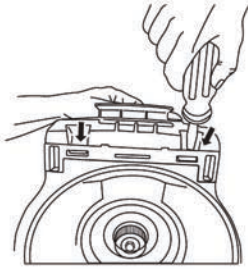
The **Rainbow Inflator** is the ideal tool for conveniently inflating beach balls, inflatable toys and air mattresses.

The **Rainbow Confined-Space Cleaner** is the ideal tool for cleaning hard-to-get-at areas like refrigerator coils, behind and under appliances, cabinets or furniture. Coil cleaner extension can be used in either suction or blower mode (see illustration).

The **Rainbow Airflow Adaptor** is used to reduce air noise through the air inlet. It is recommended to use the adaptor when the Rainbow is used as a blower. Simply snap the Airflow Adaptor into the air inlet opening before using the Rainbow as a blower.

Instructions For Use: To use the Rainbow Inflator, open the exhaust vent door at the back of the power unit. Attach the hose to the exhaust opening. Attach Rainbow curved wand handle to the hose and the inflator to the handle. Secure the connection with the button lock. The inflator pin is then inserted into the tool body. Twist one-half turn counter-clockwise to lock pin in place. Insert the pin into the inflator stem of the object to be inflated and turn on the power unit. Also, use the Airflow Adaptor to reduce air noise through the air inlet opening during this operation.





1 REMOVE THE REAR PANEL:

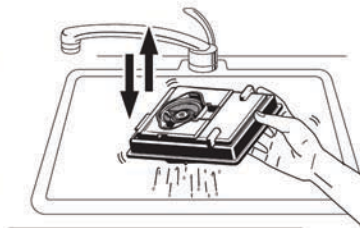
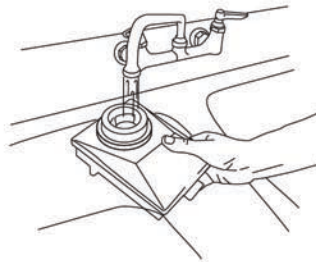
Using a screwdriver, remove the panel from the back of the Rainbow by pressing up on the two latches on the underside of the rear panel. Move the bottom of the rear panel towards you, lifting up.



2 REMOVE THE HEPA NEUTRALIZER.

3 RINSING THE HEPA NEUTRALIZER:

- A Place the dirty HEPA Neutralizer in the sink with the oval opening facing up.
- B Fill the oval opening in the HEPA Neutralizer with cool water from a faucet until the water comes out of the opening. Continue to let the water run over the HEPA Neutralizer for approximately one minute.
- C Turn off the water supply. Turn the HEPA Neutralizer over and tap into the sink so that the water escapes from the oval opening.
- D Repeat steps B and C until no substantial amount of dirt is seen coming out of the HEPA Neutralizer. Shake the HEPA Neutralizer briskly, with oval opening facing down, to remove any excess water.
- E Reinstall the HEPA Neutralizer and rear panel by following the instructions in reverse order.



- 4 DRYING THE HEPA NEUTRALIZER:**
 - A Make sure the vent door is removed from the rear panel.
 - B With the water basin empty, set the Rainbow on the edge of a towel or other absorbent cloth, such that the vent door side of the Rainbow is facing the cloth or towel.
 - C Install the airflow adapter onto the front of the Rainbow to dampen noise.
 - D Run the Rainbow on high speed for approximately 1/2-hour to thoroughly dry the HEPA Neutralizer.
 - E Excess water from the rinsing process may be emitted onto the towel or absorbent cloth during the first portion of the 1/2-hour drying time.
 - F After the HEPA Neutralizer is dry, replace the vent door.
 - G If cleaning ability is not adequately restored after the HEPA Neutralizer is dry, contact your Authorized Distributor.

RINSING THE HEPA NEUTRALIZER

WARNING:
Unplug the Rainbow before servicing. Do not operate the Rainbow without the HEPA Neutralizer.

NOTE:
Do not use detergent or soap to wash the filter. Use clean water only.

CARE AND MAINTENANCE

DO NOT STORE BASIN ON RAINBOW.

DO NOT OPERATE THE RAINBOW WITHOUT THE SEPARATOR.

CAUTION:

The Rainbow water basin will not trap materials that are resistant to the wetting action of water, including oily or greasy compounds (such as soot or ashes) and powdery substances (such as ceramic, drywall or plaster dust). Do not use the Rainbow to pick up or in the vicinity of any volatile or toxic materials.

*Wet Dust
Can't Fly™*

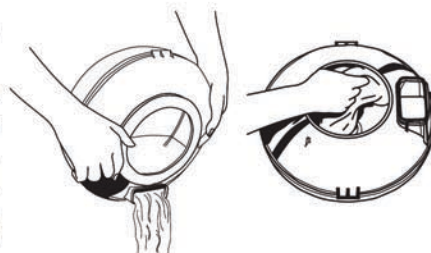
SERVICING INSTRUCTIONS

SERVICING OF DOUBLE-INSULATED APPLIANCE— In a double-insulated appliance, two systems of insulation are provided instead of grounding. No grounding means is provided on a double-insulated appliance, nor should a means for grounding be added to the appliance. Servicing a double-insulated appliance requires extreme care and knowledge of the system and should be done only by qualified Rainbow service personnel. Replacement parts for a double-insulated appliance must be identical to the parts they replace. A double-insulated appliance is marked with the words "DOUBLE-INSULATION" or "DOUBLE-INSULATED." The Symbol (square within a square) may also be marked on the appliance.

Any servicing other than cleaning should be performed by an authorized Rainbow Service representative.

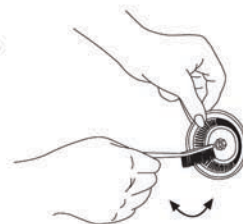
1 EMPTYING THE WATER BASIN / CLEANING THE WATER BASIN:

Always remove, empty and wash the water basin when the cleaning job is finished. This helps to avoid odors, the growth of germs and bacteria, and the development of water scum in the basin. Rinse and dry the water basin thoroughly.



2 REMOVING AND CLEANING THE SEPARATOR:

For best performance, clean the separator frequently. If necessary, use a wrench or screwdriver to loosen the nut. Replace the separator immediately after cleaning (hand-tighten). Do not force the separator onto the threaded shaft.

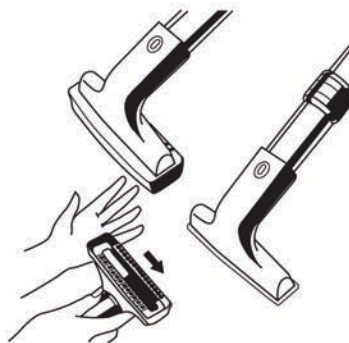


3 CLEANING THE TOOLS:

FLOOR AND WALL BRUSH: Whisk clean with the open end of the Rainbow hose with Rainbow running; or remove furniture guard and snap off brush from the holder. Wash the brush in warm, soapy water and replace when dry, beaded edge of guard up.

DUSTING BRUSH: Clean in warm, soapy water and let dry.

UPHOLSTERY TOOL: Whisk clean with the open end of the Rainbow hose while Rainbow is running; or slide the brush head off and wash in warm, soapy water. Replace when dry.



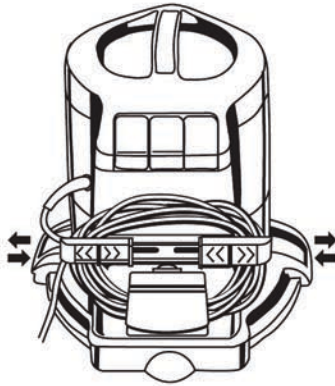
PROBLEM	POSSIBLE CAUSE	POSSIBLE SOLUTION
Machine Won't Run.	Air inlet screen is plugged with debris.	Clean off debris thoroughly.
	Not firmly plugged in.	Plug unit in firmly or try another outlet.
	Rainbow not properly latched to water basin. Automatic resetting motor protector has tripped.	Ensure side latches of water basin are locked. Turn Rainbow off. Leave off for two seconds. Turn Rainbow back on.
Loss of Airflow.	Defective cord, switch or machine.	Call your Rainbow Distributor or Rainbow Service Center.
	Machine not correctly positioned on water basin.	Ensure machine is properly seated and latched onto water basin.
	Plugged hose, wand attachment or Power Nozzle.	Remove obstruction from clogged area.
	Incorrect airflow control sleeve setting.	Adjust airflow control sleeve setting on curved wand.
	HEPA Neutralizer needs servicing or replacement.	Remove HEPA Neutralizer and clean or replace.
Discharges Dust.	Machine is running on low speed.	Turn power switch to high speed.
	Separator is clogged or dirty.	Remove separator and clean.
	Low level of water in basin.	Fill water basin to correct level.
	Excessively dirty water in basin.	Replace with clean water.
	Hole in HEPA Neutralizer.	Call your Rainbow Distributor or Rainbow Service Center for replacement.
Heavy Foaming of Water in Water Basin.	Soapy contaminant in water basin.	Replace with clean water.
	High level of water in basin.	Empty water basin and refill to correct level.
Musty Odor.	Water basin not cleaned or dumped after use.	Clean water basin and use Deodorant Air Freshener while cleaning.
	Separator clogged or dirty.	Remove separator and clean.
	Damp HEPA Neutralizer.	Refer to page 8.
Machine Running Hot, Hot or Burnt Odor.	Machine stored on water basin.	Do not store machine on water basin.
	Plugged hose, wand, attachment or Power Nozzle.	Remove obstruction from clogged area.
Different Tone, Noise or Vibration.	Machine not sealed on water basin properly.	Ensure machine is properly seated and latched onto water basin.
	Separator clogged or dirty.	Remove separator and clean.
	Water level is above center dome in water basin.	Empty water basin and refill to correct level.

TROUBLE-SHOOTING

NOTE:

If the above solutions do not prove successful, call your Authorized Rainbow Distributor.

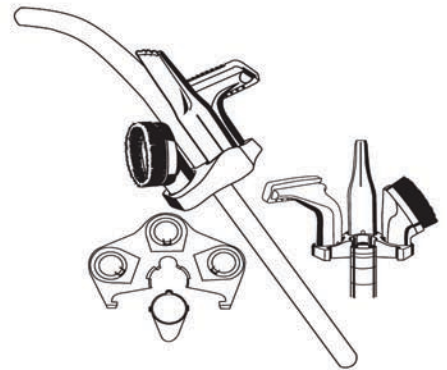
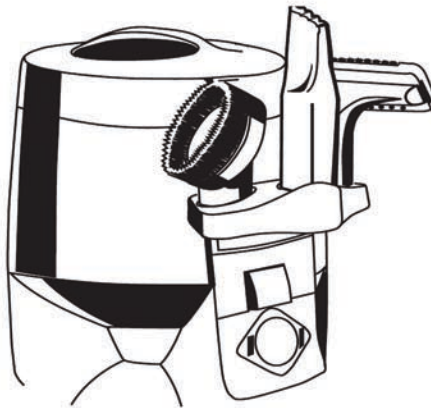
RAINBOW FEATURES



RAINBOW CORD CADDY: The Rainbow power cord attaches to the back of the power unit. Sliding holders and a stationary holder on the exhaust vent panel door are used to store the power cord. To use the power cord, simply retract the cord caddy holders using the finger grips (see illustration), and cord is then accessible.

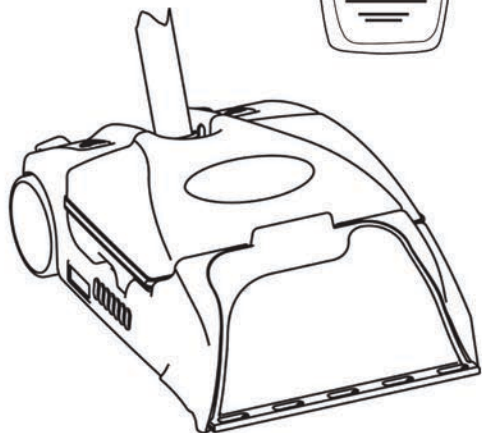
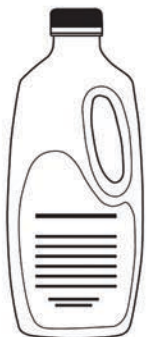


PLACING POWER UNIT ON DOLLY: Place power unit on dolly by tipping front end slightly upward so that the lip at the back of the unit slips under the lip at the rear of the dolly. Unit will then drop into place on the dolly. A foot latch at the front of the power unit locks unit in place. To remove, depress foot latch and lift unit from dolly by tipping slightly backward and pulling upward.



ATTACHMENT CADDY (WANDS): The attachment caddy is a one-piece unit that holds the dusting brush, upholstery tool and crevice tool. It attaches to the front of the power unit by slipping over the front of the housing into notches located on either side of the housing (see illustrations). Pressing downward locks the caddy in place. Attachments are stored by slipping them over the posts on the caddy. Push in button lock to release attachment.

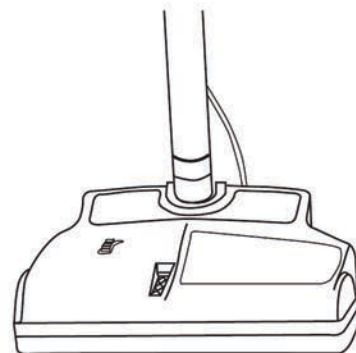
The attachment caddy can also be assembled to any wand end. Line up the tabs on wand end with the inside slots on the caddy. Press caddy onto wand until it locks onto the wand end. To remove, disassemble wands and twist caddy off of wand from the front.



AQUAMATE: The AquaMate carpet cleaning extraction unit allows you to achieve professional results without the professional price tag.

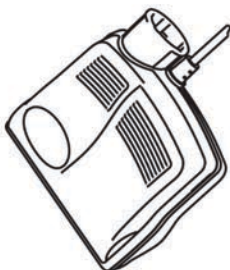
AquaMate Carpet Cleaning Formula combines cleaner, deodorizer, protector and reconditioner for ease of operation and superior cleaning results. One quart.

RAINBOWMATE: For those hard-to-clean surfaces, such as stairs and upholstery. RainbowMate has a motor-driven brush for maximum cleaning performance. Requires electrified hose (supplied with Power Nozzle) for operation.



RAINBOW POWER NOZZLE:

The Power Nozzle adds motorized brush action to the already superior cleaning efficiency of the Rainbow. The rapidly revolving brush loosens lint, threads, hair and dirt for easy pick-up into the Rainbow water basin. It connects quickly and conveniently to the Rainbow and makes most deep nap, pile and shag carpets easier to groom and clean. The fully motorized Power Nozzle is easy to use, sturdy and lightweight.

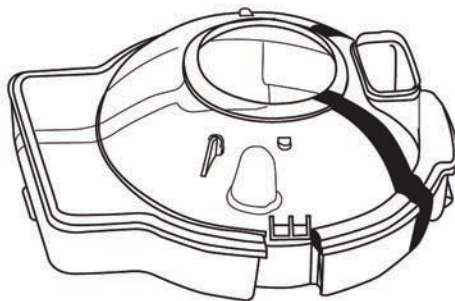


OPTIONAL ACCESSORIES FOR YOUR RAINBOW

Contact your local Registered Rainbow Distributor for information on these valuable Rainbow accessories.

OPTIONAL ACCESSORIES FOR YOUR RAINBOW

Contact your local Registered Rainbow Distributor for information on these valuable Rainbow accessories.



RAINBOW 4-QUART BASIN: The Rainbow 4-Quart basin is available for "bigger" cleaning jobs. The larger water basin fits the Rainbow dolly and doubles the cleaning capacity of the Rainbow. It's ideal for larger homes and "oversized" cleaning jobs.

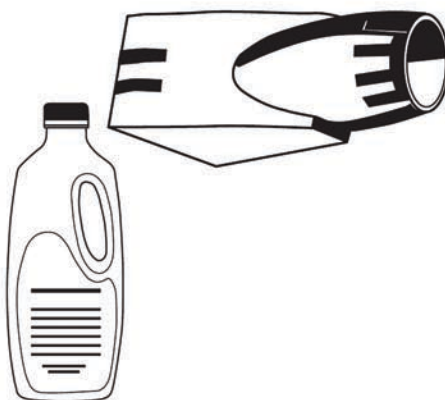


RAINBOW FRAGRANCE PACK: Bring the sweet and refreshing smell of a spring garden into your home with the Rainbow Fragrance Pack. An assorted selection of fragrances will fill your home with the pleasant aroma of the great outdoors while you clean. Available in a variety of four-pack fragrances.



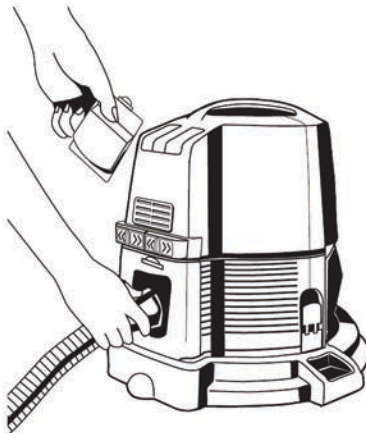
RAINBOW DEODORIZER AIR FRESHENER: Two capfuls of Rainbow Deodorizer Air Freshener added to the water in the Rainbow water basin alleviates objectionable household odors, such as fish, tobacco, cabbage, paint, etc., while you clean. One quart.

RAINBOW FLOOR CLEANER CONCENTRATE: Rainbow Floor Cleaner Concentrate is ideal for thoroughly cleaning linoleum or tile floors. Just spread on Floor Cleaner Concentrate in recommended solution and let it do the work. One quart.



RAINBOW REXAFOAMER: The Rainbow Rexafoamer makes "dry" suds from liquid shampoo. Your rugs and carpets can be shampooed inexpensively, yet professionally, right in the home.

RAINBOW REXAFOAMER SHAMPOO CONCENTRATE: Rexafoamer Shampoo Concentrate quickly removes unsightly traffic film from rugs and carpets. No hard scrubbing required. Cleanses thoroughly, dries quickly. One quart.



SPRAYER ASSEMBLY: The Rainbow Sprayer Assembly attaches to your Rainbow wands and is used to spray insecticides, moth-proofing solutions, etc. It can also be used with liquid fertilizers or plain water on your houseplants. To use the Sprayer, simply fit it onto your Rainbow curved wand handle and connect the hose to the air exhaust on your Rainbow.



RAINBOW ACCESSORY PACKS:

Deluxe Accessory Pack includes the following items: 4-Quart Basin, Floor Squeegee, Rainbow Sprayer, Fragrance Pack, Aerofresh Bag, Deodorizer Air Freshener and Floor Cleaner Concentrate.

Special Accessory Pack includes: Rainbow Sprayer, Fragrance Pack, Aerofresh Bag, and Deodorizer Air Freshener.



AEROFRESH BAG: This handy plastic bag is sized to fit even your largest cushions and pillows. Place cushion in Aerofresh bag. With the upholstery tool attached to the end of the wand, hold bag tightly around wand (see diagram) and remove stale, dusty air from the cushion. Without letting go of bag at wand, quickly remove exhaust cap and attach hose to air exhaust opening on Rainbow to "refluff" your cushion with clean, water-washed air.



FLOOR SQUEEGEE:

The Rainbow Floor Squeegee allows you to deep-clean your linoleum and tile floors without getting your hands wet. Use with Rainbow Floor Cleaner Concentrate to clean your floors with a minimum of effort.

OPTIONAL ACCESSORIES FOR YOUR RAINBOW

Contact your local Registered Rainbow Distributor for information on these valuable Rainbow accessories.

WARNING:

The Rainbow sprayer is not to be used with any type of flammable liquids. Be sure to follow manufacturer's instructions when using chemical solutions.

**MESSAGE
FROM REXAIR**

*The Power
of Water*

**WRITTEN
WARRANTY**

R13452A-1
Printed in U.S.A.
©Rexair 2009

Rexair sells the **Rainbow** Cleaner only to independent Authorized Distributors who are experienced in direct in-the-home selling. Since Rexair does not market its product through national advertising, awareness of the product is created by the individual efforts of thousands of direct selling "dealers," who, by means of in-home demonstrations create interest in the **Rainbow** Cleaner in their local communities. The independent Authorized Distributors with whom those dealers are affiliated assume the responsibility for the legitimate distribution and service of the **Rainbow** Cleaner directly through their own dealers, or indirectly through independent subdistributors and their dealers.

Rexair further requires that each Authorized Distributor make prompt and workmanlike service available through its own service outlets or through responsible independent service outlets in those communities in which it sells Rexair products through its independent subdistributors and dealers.

Do not lose the name and address of the Dealer or Distributor from whom you bought the **Rainbow** Cleaner. Contact him or her for advice on caring for your **Rainbow**, warranty coverage, service, and the nearest service outlet.

Rexair is highly selective regarding those it appoints as its direct customers, the Authorized Distributors. However, Rexair has no agreement or legal relationship with the independent resellers who acquire products directly or indirectly from an Authorized Distributor, and can only attempt to correct any customer complaints about such resellers by acting through the responsible Authorized Distributor. Rexair's announced policy is to hold each Authorized Distributor responsible for remedying the results of any statement or action by any of the independent resellers that may result in a complaint from any member of the buying public.

Should you have any problem or have any question regarding the above, you should first contact the Distributor or Dealer from whom you purchased your **Rainbow**. If you have any problem locating that person, contact Rexair's Customer Service Department at the address listed below, being sure that you include your **Rainbow's** Serial Number. They will immediately send you the name, address and phone number of the responsible Authorized Distributor for your area. If you feel you are not receiving proper assistance from the Authorized Distributor, please contact us immediately. All of our Authorized Distributors know their obligations.

For any additional information or assistance write to:

Rexair, 50 W. Big Beaver Road, Suite 350, Troy, Michigan 48084 U.S.A.
(248) 643-7222 or fax to (248) 643-7676. You can visit Rexair's Web Site at:

www.RainbowSystem.com

Rexair provides to its Authorized Distributors, and only to them, a written four-year warranty on its vacuum cleaner and attached accessories and an eight-year warranty on the vacuum cleaner motor and controller. Replacement parts can be new or remanufactured as provided at Rexair's sole discretion. These warranties do not cover normal wear-and-tear arising from usage of the products. Even though Rexair, as the manufacturer, does not deal directly with the consumer nor provide the consumer with a written warranty, the law imposes certain responsibilities on all manufacturers who make consumer products. The products must not be defective and must be generally fit for their intended uses. These implied warranties of merchantability and fitness are honored by Rexair. Further, Rexair requires each Authorized Distributor to pass through to the consumer, by way of the Authorized Distributor's own written warranty, the benefit of Rexair's warranty to such Distributor.

Rexair sells the Rainbow to its Authorized Rainbow Distributors for resale by those Distributors and their agents solely through in-home demonstrations to ultimate user-owners. Any other sale is strictly prohibited. Any product purchased in any other sale is not covered by the authorized warranties.