

*Special  
Edition*

*Rainbow* **SE** **Power Nozzle**  
**Owner's Manual**

# TABLE OF CONTENTS

|  |   |
|--|---|
| Message from the Manufacturer.....           | 1 |
| Important Safeguards.....                    | 2 |
| Assembly of the Rainbow Power Nozzle.....    | 4 |
| Electrified Hose.....                        | 5 |
| Operation of the Rainbow Power Nozzle.....   | 6 |
| Carpet Height Selector.....                  | 6 |
| Service Information.....                     | 6 |
| Proper Care of the Rainbow Power Nozzle..... | 7 |
| Replacing the Power Nozzle Belt.....         | 7 |
| Power Nozzle Circuit Breaker.....            | 7 |
| Operations Checklist.....                    | 8 |

ONLY MODEL R-4375C  
IS LISTED



R-2800B



## Consumer Care Number

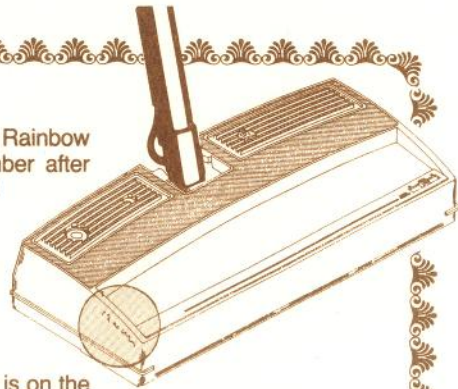
As part of Rexair's Consumer Care program, all new Rainbow Power Nozzles receive a Consumer Care Serial Number after passing Quality Control testing at the factory. This serial number assists in providing:

1. Ownership identification for you;
2. Warranty identification for your Distributor;
3. Assurance of having cleared quality control;
4. Assurance of new "factory-fresh" condition.

For your protection, check to see that the serial number is on the Rainbow Power Nozzle at the location shown on the accompanying diagram. No new Rainbow Power Nozzle should be sold without this number. If the number is missing, Rexair makes no claims as to the origin, age, or condition of the unit. If you can not find a serial number on your Rainbow Power Nozzle, please call our customer service department at (313) 643-7222, or write Rexair, Inc., 3221 W. Big Beaver Road, Suite 200, Troy, Michigan 48084.

For your protection record the serial number in the space provided below. Save this information for future reference.

Serial No. \_\_\_\_\_



# MESSAGE FROM THE MANUFACTURER



## Rexair, Inc.

REXAIR, INC., manufactures the Rainbow Cleaner for sale only to independent Authorized Distributors, who are experienced in direct in-the-home selling. Since Rexair does not market its product through national advertising, awareness of the product is created by the individual efforts of thousands of direct selling "dealers," who, by means of in-home demonstrations, create interest in the Rainbow Cleaner in their local communities. The independent Authorized Distributors with whom those dealers are affiliated assume the responsibility for the legitimate distribution and service of the Rainbow Cleaner directly through their own dealers, or indirectly through independent subdistributors and their dealers.

Rexair provides to its Authorized Distributors, and only to them, a written three year warranty on its products. Even though Rexair, as the manufacturer, does not deal directly with the consumer nor provide the consumer with a written warranty, the law imposes certain responsibilities on all manufacturers who make consumer products. The products must not be defective and must be generally fit for their intended uses. These implied warranties of merchantability and fitness are honored by Rexair. Further, Rexair requires each Authorized Distributor to pass through to the consumer, by way of the Authorized Distributor's own written warranty, the benefit of Rexair's warranty to such Distributor.

Rexair further requires that each Authorized Distributor make prompt and workmanlike service available through its own service outlets or through responsible independent service outlets in those communities in which it sells Rexair products through its independent subdistributors and dealers.

Do not lose the name and address of the dealer or distributor from whom you bought the Rainbow Cleaner. Contact him or her for advice on caring for your Rainbow, warranty coverage, service, and the nearest service outlet.

Rexair is highly selective regarding those it appoints as its direct customers, the Authorized Distributors. However, Rexair has no agreement or legal relationship with the independent resellers who acquire products directly or indirectly from an Authorized Distributor, and can only attempt to correct any customer complaints about such resellers by acting through the responsible Authorized Distributor. Rexair's announced policy is to hold each Authorized Distributor responsible for remedying the results of any statement or action by any of the independent resellers that may result in a complaint from any member of the buying public.

Should you have any problem, or have any question regarding the above, you should first contact the distributor or dealer from whom you purchased your Rainbow. If you have any problem locating that person, contact Rexair's Customer Service Department at the address listed below, being sure that you include your Rainbow's Serial Number. They will immediately send you the name, address and phone number of the responsible Authorized Distributor for your area. If you feel that you get no help from the Authorized Distributor, please contact us immediately. All of our Authorized Distributors know of their obligations.

For any additional information or assistance write to:

Rexair, Inc., 3221 W. Big Beaver Road, Suite 200, Troy, Michigan 48084, (313) 643-7222.

### Your Authorized Rainbow Distributor

Name: \_\_\_\_\_

Address: \_\_\_\_\_

Phone: \_\_\_\_\_

Dealer Signature \_\_\_\_\_

# IMPORTANT SAFEGUARDS

---

Please read all instructions carefully before using unit. Use your Rainbow only for its intended use as described in the instructions. The use of attachments not recommended by Rexair may cause hazards.

**WARNING** — to reduce the risk of fire, electric shock, or injury, when using an electrical appliance, basic precautions should always be followed, including the following:

- 1 Close supervision is necessary when any appliance is used by or near children. Do not allow your Rainbow or Power Nozzle to be used as a toy or to run unsupervised at any time.
- 2 Unplug the Rainbow when not in use. Turn it off at the switch before unplugging. Grasp the plug to disconnect it from the wall outlet to avoid damage to cord, plug, prongs, or receptacle. Do not pull or carry by cord, use cord as a handle, close a door on cord, pull or carry around sharp edges or corners. Do not run appliance over cord. Keep cord away from heated surfaces. Do not use with damaged cord or plug.
- 3 Do not leave appliance when plugged in. Unplug Rainbow from outlet when not attended and before servicing.
- 4 If Rainbow or Power Nozzle is in disrepair, do not attempt to operate. If appliance is not working as it should, has been dropped, damaged, left outdoors, or dropped into water, return it to a service center.
- 5 Do not clean the unit, or unclog the hose until the Rainbow is switched off and the plug is removed from the wall outlet.
- 6 Do not connect to the receptacle of an incandescent light fixture, or use any extension cords.
- 7 To avoid the possibility of fire or explosion, do not use your Power Nozzle in areas where flammable and/or explosive vapor or dust is present. Some cleaning fluids can produce such vapors. Areas on which such flammable cleaning fluids have been used should be completely dry and thoroughly aired before being vacuumed. Do not use the Rainbow or Power Nozzle to unplug drains. If sewer gas is drawn into the Rainbow it could cause an explosion.
- 8 No one should ever touch a metal sink, cold or hot water pipe with one hand while touching the metal parts of any electrical appliance, light fixture or switch with the other hand. One's body could complete an electrical circuit to the ground. Additionally, wet skin surfaces can greatly increase this hazard. Do not handle plug or appliance with wet hands.
- 9 (a) Do not put any objects into openings. Do not use with any openings blocked; Keep free of dust, lint, hair, and anything that may reduce air flow; (b) Keep hair, loose clothing, fingers, and all parts of the body away from openings and moving parts; (c) Use extra care when cleaning on stairs.
- 10 Do not pick up anything that is burning or smoking such as cigarettes, matches or hot ashes; Do not use to pick up flammable or combustible liquids such as gasoline or use in areas where they may be present.
- 11 This appliance is provided with double insulation. Use only identical replacement parts. See instructions for Servicing of Double-Insulated appliances.
- 12 Always follow these IMPORTANT SAFEGUARDS.



- 13 Your Power Nozzle contains a powerful revolving brush. To avoid bodily injury, the Power Nozzle should not be placed against or in close proximity to loose clothing, jewelry, hair or body surfaces while cleaner is connected to electrical outlet. The Power Nozzle circuit breaker does NOT protect against bodily injury or damage to objects that contact the revolving brush.

14 **WARNING** — To avoid risk of electrical shock, never use the electrified hose (supplied with the Power Nozzle) to pick up water or any other fluids. Use only the Rainbow hose, supplied with the Rainbow, for wet-pickup operations. Refer to page 5 for illustrations and descriptions of each hose.

15 **IMPORTANT** — The electrified hose contains electrical wires and should be checked regularly. Do not use if damaged, cut, or punctured. Avoid picking up sharp objects. Do not use to suck up water. Do not immerse in water for cleaning. Always turn off this appliance before connecting or disconnecting either the hose or motorized nozzle.

**CAUTION:** It is recommended that you not use the Rainbow to clean the fire place or the chimney flue, or any other oily or greasy compounds (such as soot) or ashes, ceramic dust, drywall, plaster dust or other powdery substances that are resistant to the wetting action of water. Do not use the Rainbow to pick up or in the vicinity of any volatile or toxic materials.

**USE THE RAINBOW ONLY AS DIRECTED IN  
THIS OPERATION MANUAL!**

**SAVE THESE INSTRUCTIONS!  
— FOR HOUSEHOLD USE ONLY —**

**WARNING: TO AVOID ELECTRICAL SHOCK  
DO NOT USE OUTDOORS.**

Your Rainbow Power Nozzle is equipped with a rating plate which lists the model number as follows:

**RAINBOW® POWER NOZZLE  
MODEL R-4375C\*  
MFG. BY REXAIR INC., CADILLAC, MICHIGAN  
120 VOLTS AC, 60 Hz 1.9 AMPS**

\*R-2800B for Power Nozzles Sold in Canada.

# ASSEMBLY

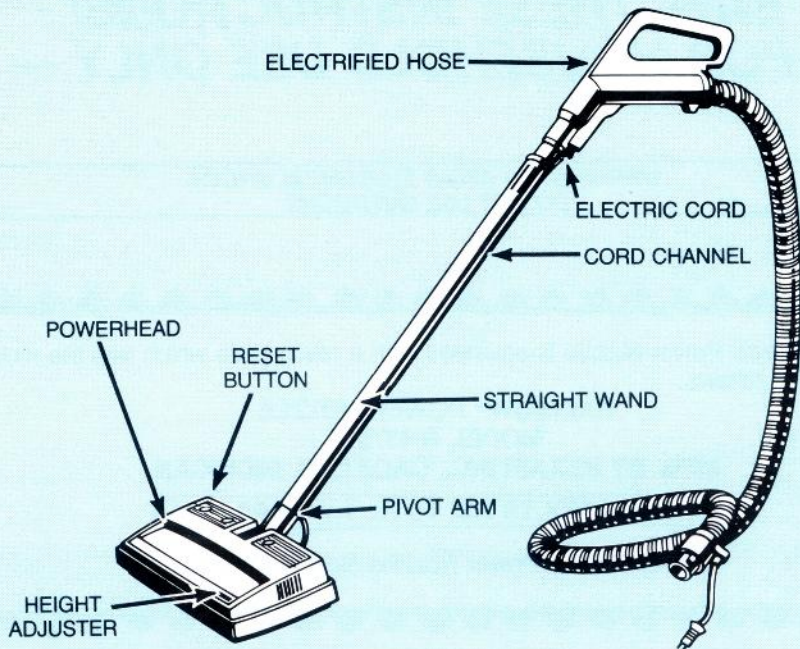
## TO ASSEMBLE THE POWER NOZZLE

1. Push straight wand into pivot arm of the motorized Powerhead unit.
2. Insert the electric cord into the long cord channel guide on straight wand, by pressing the cord into channel guide with thumb.
3. Leave a bit of slack in the lower cord at the base of the straight wand (and pivot arm) to enable the handle to be raised and lowered.

### SERVICING

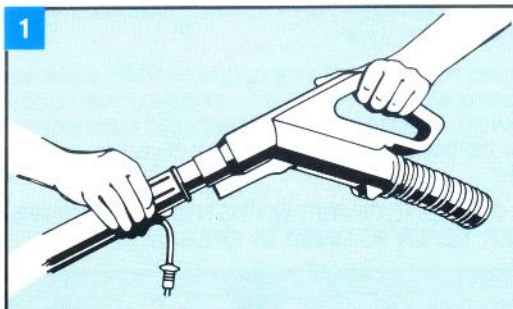
**SERVICING OF DOUBLE-INSULATED APPLIANCE** — In a double-insulated appliance, two systems of insulation are provided instead of grounding. No grounding means is provided on a double-insulated appliance, nor should a means for grounding be added to the appliance. Servicing a double-insulated appliance requires extreme care and knowledge of the system, and should be done only by qualified service personnel. Replacement parts for a double-insulated appliance must be identical to the parts they replace. A double-insulated appliance is marked with the words "DOUBLE-INSULATION" or "DOUBLE-INSULATED." The Symbol (square within a square) may also be marked on the appliance.

Any servicing other than cleaning should be performed by an authorized service representative.

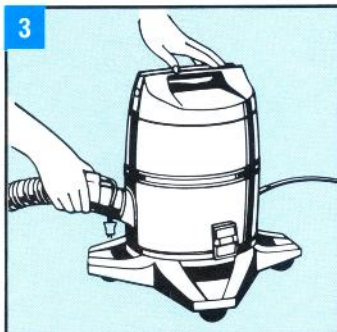
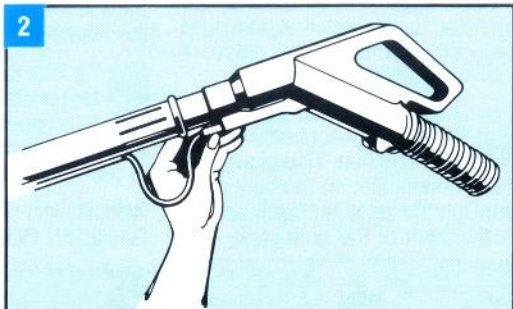


# ELECTRIFIED HOSE

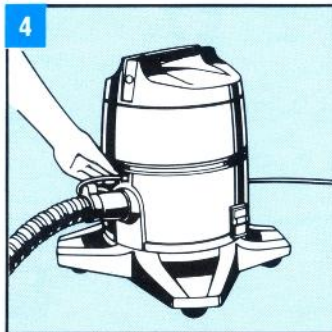
**1** Push the metal wand (with handle attached) of the electrified hose into the long, straight Power Nozzle wand.



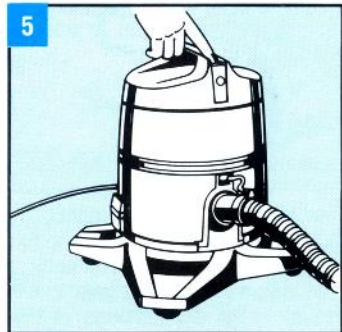
**2** Plug the electric cord from the Power Nozzle into the receptacle located in the handle of the electrified hose as shown.



**3** Insert the metal end of electrified hose into the air intake of the Rainbow Cleaner until it clicks.



**4** Plug the electrified hose into the special receptacle of the Rainbow Cleaner as shown.



**5** After the electrical connections are made, the ON/OFF switch on the Rainbow power unit will operate both the Cleaner and the motorized Power Nozzle. Snap switch on power unit to "ON" with a flick of the fingertips. To remove electrified hose, unplug from special receptacle on the Rainbow, press spot on coupling marked "Press," and pull from machine.

**WARNING:** To avoid risk of electrical shock, never use the electrified hose (supplied with the Power Nozzle) to pick up water or any other fluids. Use only the Rainbow hose, supplied with the Rainbow, for wet-pickup operations. Refer to illustrations below.

**THE ELECTRIFIED HOSE CONTAINS ELECTRICAL WIRES**



The Rainbow Hose

- Use for wet & dry pickup.
- Supplied with the Rainbow.



The Electrified Hose

- Use only for dry pickup. To avoid risk of electrical shock, never use to pick up water or any other fluids.
- Supplied with the Power Nozzle.

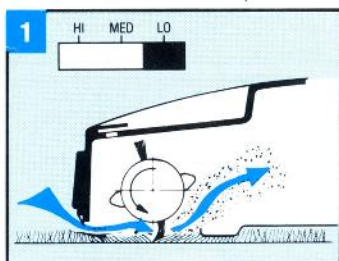
# OPERATION AND CARE

## Carpet Selection Feature

The Rainbow Power Nozzle is equipped with a unique carpet selection feature. This adjustment allows you to control the airflow to achieve maximum cleaning efficiency and ease of use on all types of carpet.

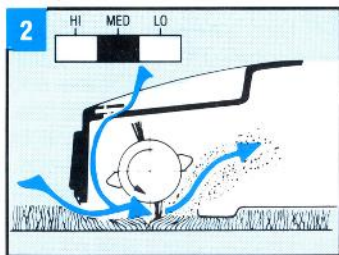
### For Short Nap Carpets:

**1** Set the selector button to the "LO" position. This closes off the jet vents forcing the flow of air through the air relief depressions in the front of the sole plate.



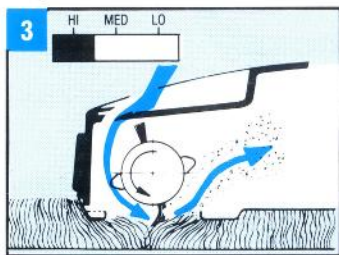
### For Medium Nap Carpets:

**2** Set the selector button to the "MED" position. This setting provides a partial jet assist to aid the air relief depressions in the sole plate.



### For Deep Nap Carpets:

**3** Set the carpet selector button to the "HI" position. This setting provides maximum air flow and cleaning ability on heavy carpets.



## Proper Use

**4** With the machine at the left and to the rear, hold the handle with the right hand at a comfortable angle. Grasp the hose with left hand making a loop behind the back. Slowly guide the Power Nozzle back and forth in smooth and easy strokes. Let the Power Nozzle and the Rainbow Cleaner do the work.

**5** To lock the power nozzle wand in the upright position, place left foot on top of the power nozzle. Grasp the straight power nozzle wand and push forward, until the wand is fully engaged in the locking tabs. To disengage the power nozzle wand, follow these same steps in the reverse order.

**IMPORTANT: FOR COMPLETE OPERATING INSTRUCTIONS OF THE RAINBOW CLEANER, REFER TO RAINBOW OPERATION MANUAL.**



## SERVICE INFORMATION: PLEASE READ VERY CAREFULLY.

The performance of your new cleaner greatly depends upon home maintenance. The instructions given in this booklet will guide you in performing simple home maintenance. To obtain the most satisfying years of service, read through these instructions and keep them handy for future reference.

- Always pick up hard or sharp objects by hand before using your Cleaner. Items such as pins, hairpins, tacks, crayons, and pencil stubs may damage the brush roll or may break a belt.
- **DO NOT OIL MOTOR.** The motor is permanently lubricated and sealed.
- Use Power Nozzle on carpeting and/or large floor rugs only.
- **DO NOT USE ON BARE OR HARDWOOD FLOORS.**
- Use on dry surfaces only. Do not use outdoors or on wet surfaces.

**WARNING:** To avoid risk of electrical shock, never use the electrified hose (supplied with the Power Nozzle) to pick up water or any other fluids. Use only the Rainbow hose, supplied with the Rainbow, for wet-pickup operations. Refer to page 5 for illustrations and descriptions of each hose.



## To Replace a Worn Belt

**1** NOTE - Be sure to disconnect unit from electrical supply. Using a screwdriver, remove the chrome bottom plate by removing the two screws which hold the plate in place. Remove the worn or broken belt from the brush roll pulley and the motor drive shaft.

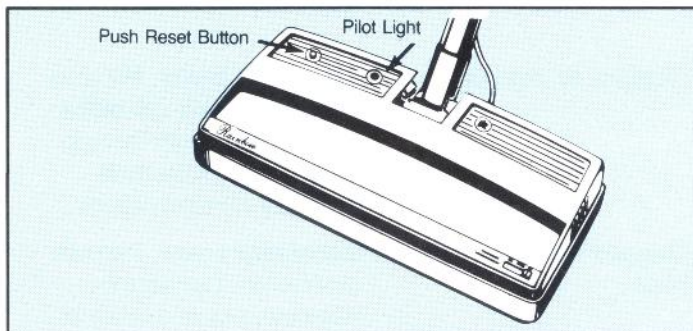
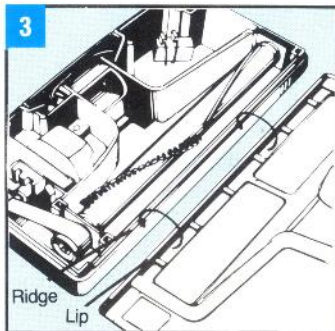
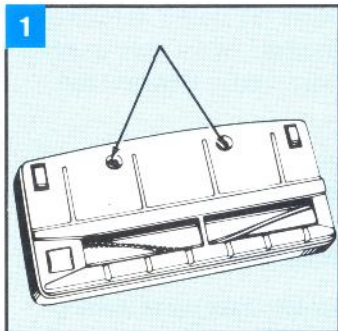
**2** Loop the new belt around the center of the motor drive shaft. Slip the opposite loop of the belt between the brush roll pulley and the nozzle housing.

Using the thumb and the finger, rotate the belt onto the pulley, wrapping the belt all the way around the pulley.

Spin the brush roll by hand until the belt tracks in the center of the pulley.

**3** Place the lip on front of the bottom plate over the ridge across the front of the nozzle.

Press the bottom plate down into place on the nozzle & replace the two screws. Refer to picture #1. NOTE: Be careful not to overtighten or cross-thread the screws.



Each Rainbow Nozzle is protected against motor burnout by a resettable circuit breaker. In the event that the motor should become overloaded, the circuit breaker will open and automatically shut off the power to the motor. When this occurs the motor will stop running, but the pilot light will remain lighted and the reset button will pop up.

NOTE - Be sure to read Note 2 in the Important Safeguard Section.

## To Reset Circuit Breaker

- 1. Disconnect unit from the electrical supply.**
- 2. Remove any object that may have stalled the brush roll.**
- 3. Rotate the brush roll by hand to make sure it is not frozen in position.**
- 4. Push reset button downward until it snaps into its original position.**
- 5. Reconnect the Power Nozzle to the electrical supply of the Rainbow Cleaner.**

# OPERATIONS CHECKLIST

---

This Rainbow appliance was thoroughly tested and inspected at the factory. It was in good operating condition when shipped. If a minor problem develops, the following trouble shooting procedures may help identify and correct the problem with a minimum inconvenience.

| <b>PROBLEM</b>                                      | <b>POSSIBLE CAUSE</b>                  | <b>POSSIBLE SOLUTION</b>   |
|---|--|--|
| <b>A. Motor Not Running</b>                         | 1. Plug pulled loose from Rainbow      | 1. Reconnect to Rainbow  |
|   | 2. Circuit breaker tripped             | 2. Disconnect power, Check for obstruction, Push reset button  |
| <b>B. Motor Running But Brush Not Revolving</b>     | 1. Broken belt                         | 1. Disconnect power, Remove sole plate, Make sure brush rotates freely, Replace belt   |
| <b>C. Brush Stopped (Cannot be rotated by hand)</b> | 1. Object lodged in brush chamber      | 1. Disconnect power, Remove sole plate, Remove foreign object, Make sure brush rotates freely  |
|   | 2. Bearing worn out                    | 2. Replace brush and bearing assembly  |
| <b>D. Power Nozzle Not Picking Up Well</b>          | 1. Clogged air chamber                 | 1. Disconnect power, Remove sole plate, Clear out entire air chamber, Sight through pivot arm to make sure there are no obstructions |
|   | 2. Clogged wands or hose               | 2. Disconnect power, Remove obstruction, Connect to Rainbow, Make sure air is flowing freely through hose                            |
|   | 3. Bristles not in contact with carpet | 3. Make sure sole plate is hooked over front lip of housing, Replace brush if bristles are worn too short                            |

NOTE: If the above solutions do not prove successful, call your Registered Independent Distributor.



